

Partlow 1460/1462

1/4 DIN Profiler Controller



- Free-form programming
- Delayed start
- Auto Hold
- Modbus & ASCII comms
- Program End/Run relay
- Power fail recovery
- Self-tuning algorithms
- PC support software



The Partlow 1462 is a powerful Programmer, packed with innovative features to control complex processes. Metal treatment and environmental chambers are typical applications for the 4400.

Specification

Features

Control Types	Full PID with Pre, Self or Manual Tuning. Heat, Heat & Cool or Valve Motor applications
Auto/Manual	Selectable from front panel, with bumpless transfer
Output Configuration	Up to 3 total. Max 2 for control (Heat & Cool), max 2 for Alarms, max 1 for retransmit PV or SP
Alarm 1 & 2 Types	Process high, process low, SP deviation, band, logical OR and hysteresis. Also 1 loop alarm
Human Interface	6 buttons, 13mm & 10mm high LED's, 8 digit message display, plus status LED indicators
PC Configuration	Off-line configuration, profile editing & tracker, via config socket (comms option not required)

Profiles

Number of programs	8, each with 16 free-form segments (Ramp/Dwell/Join/Repeat/End). Max seg. length 99 hrs 59 mins
Auto Hold	Fully programmable. Holds program if PV is outside of specified hold band.
EOP Relay	Fitted as standard. Indicates program running or program ended.
Delayed start	Max 99 hours 59mins delay from initiation to program start
Real Time Clock Option	Allows programmed start on specific days, and intelligent power fail recovery

Input

Thermocouple	J, K, R, S, T, B, L, & N.
RTD	3 Wire PT100, 50Ω per lead maximum (balanced)
DC Linear	0-20/4-20mA, 0-50/10-50mV, 0-5/1-5/0-10/2-10V. Scaleable -1999 to 9999, dec point available
Impedance	>100MΩ for Thermocouple and mV ranges, 47KΩ for V ranges and 4.7Ω for mA ranges
Accuracy	+/- 0.25% of input span +/- 1 LSD (T/C CJC better than 0.7°C)
Sampling	4 per second, 14 bit resolution approximately
Sensor Break Detection	<2 secs (except zero based DC ranges), control O/P's turn off, *high alarms activate (*low for RTD)

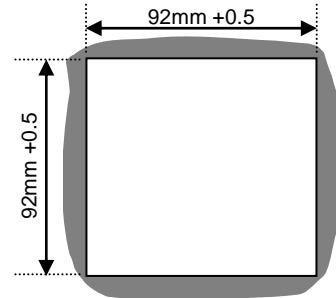
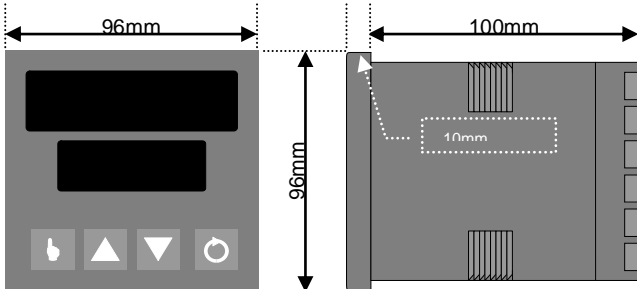
Outputs & Options

Control & Alarm Relays	Contacts SPDT 2Amp resistive at 240V AC, >500,000 operations (EOP relay 5A 240V >100,000)
Control SSR Outputs	Drive capability >4.3V DC in 250Ω (10V 500Ω version available)
Control DC Outputs	0-20/4-20mA into 500Ω max, 0-10/0-5V into 500Ω min. Accuracy typically +/- 0.5%
Retransmit Outputs	0-20/4-20mA into 500Ω max, 0-10/0-5V into 500Ω min. Accuracy typically +/- 0.25%
Event Output Option	4 program segment event relays, contacts SPST 5Amp resistive at 240V AC, >100,000 operations
Remote Program Ctrl	Volt-free/TTL inputs for Run/Hold, Abort, X60 (mins/secs) and program selection.
Communications	2 Wire RS485, 1200 to 9600 Baud, West ASCII and Modbus (selectable)

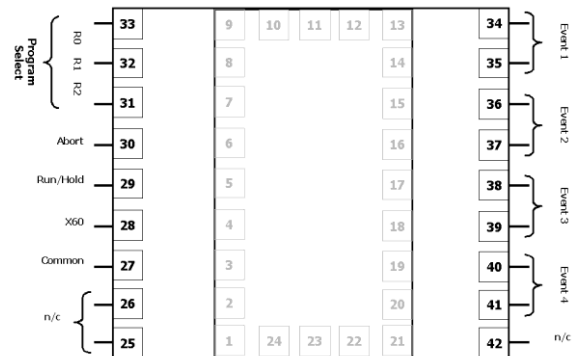
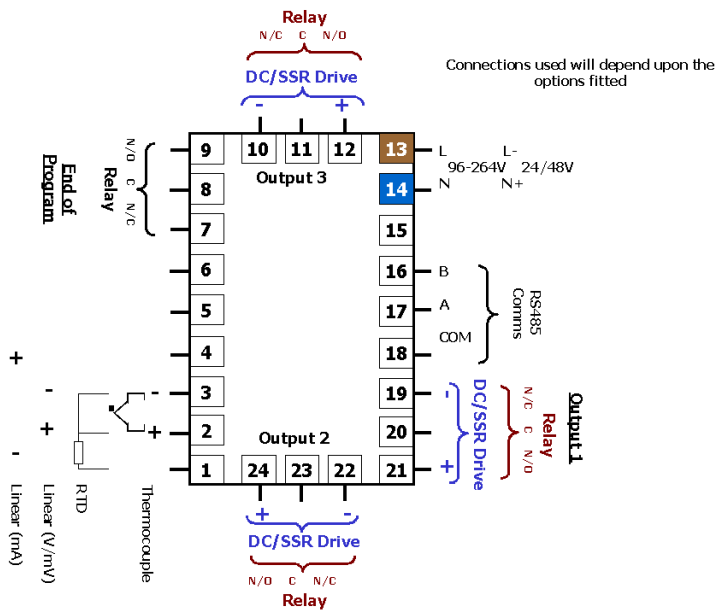
Operating & Environmental

Temperature & RH	0 to 55°C (-20 to 80°C storage), 20% to 95%RH non-condensing
Power Supply	100 to 240V 50/60Hz 7.5VA (optional 20 to 50V AC 7.5VA/22 to 65V DC 4W)
Front Panel Protection	IEC IP66 (Behind panel protection is IP20)
Approvals and Certification	CE, UL & ULc

Dimensions



Wiring Connections



Order Code

	P																	
Model																		
1/4 DIN Profile Controller		1	4	6	0													
1/4 DIN Enhanced Profile Controller		1	4	6	2													
OUTPUT 1																		
Relay						1												
SSR Driver						2												
Linear DC *						3												
OUTPUT 2																		
None						0												
Relay						1												
SSR Driver						2												
Linear DC *						3												
OUTPUT 3																		
None						0												
Relay						1												
SSR Driver						2												
Linear DC **						3												
COMMUNICATIONS																		
None								0	0									
RS-485 Serial Communications								0	1									
OPTIONS																		
None										0	0							
Event Outputs (4)										1	0							
Remote Profile Control Inputs (6) ***										2	0							
Both Event Outputs & Remote Profile Control Inputs										3	0							
Real Time Clock										4	0							
Real Time Clock & Event Outputs										5	0							
Real Time Clock & Remote Profile Control Inputs										6	0							
Real Time Clock & Event Outputs & Remote Inputs										7	0							
VOLTAGE																		
None																0	0	
24 - 48V AC/DC																0	2	

Austria	T: +43 (0)2236 691 121	AT@West-CS.com
China	T: +86 22 8398 8098	CN@West-CS.com
France	T: +33 (1) 77 80 90 42	FR@West-CS.com
Germany	T: +49 (0)561 505 1307	DE@West-CS.com
United Kingdom	T: +44 (0)1273 606271	UK@West-CS.com
USA	T: + 1 800 866 6659	NA@West-CS.com

Email inquiries@West-CS.com
Website www.West-CS.com

For more details on the complete product range from West Control Solutions please contact your local distributor or visit www.West-CS.com.

