

CAL MAXVU RAIL

Temperature Limit Device Datasheet

WEST
Control Solutions



Overview

MAXVU Rail temperature and process limit is a device that's easy to install and fast to setup with an easy to read OLED display.

MAXVU Rail provides an affordable solution where secondary temperature limit protection is required, it offers a universal input and up to 3 outputs.

At a Glance

- DIN rail mounted
- Universal input
- Up to 3 outputs
- Digital Input
- RS485 communications option
- Fast configuration
- Clear OLED display
- 22.5mm module width

Specification

Input

Thermocouple	J, K, C, R, S, T, B, L, N.
RTD	3 Wire PT100
DC Linear	0 to 20mA, 4 to 20mA, 0 to 50mV, 10 to 50mV, 0 to 5V, 1 to 5V, 0 to 10V, 2 to 10V. Scalable -1999 to 9999, with adjustable dec point
Accuracy	Thermocouple $\pm 0.25\%$ of full range ± 1 LSD ($\pm 1^\circ\text{C}$ for thermocouple CJC). PT100 $\pm 0.25\%$ of full range, ± 1 LSD, Linear $\pm 0.25\%$ of full range, ± 1 LSD.
Sampling	4 per second
Impedance	>10M Ω resistive, except DC mA (5 Ω) and V (47K Ω)
Sensor Break Detection	<2 seconds (except zero based DC ranges), high alarms activate for T/C, RTD and mV ranges, low alarms activate for mA or V ranges
Digital Input	Reset Alarm. Volt Free or TTL compatible, 24VDC
Relay	LIMIT SPDT Form C, AL1 / 2 SPST Form A relay; current capacity 2A at 250V. >150,000 operations at rated voltage/current, resistive load
SSR	Drive capability >10V DC @ 20mA
Linear DC	0 to 20mA, 4 to 20mA, 0 to 5V, 0 to 10V or 2 to 10V Current Output 500 Ω max, Voltage Output 500 Ω min
Serial Communications	2 Wire RS485, 1,200 to 38,400 baud, Modbus RTU

Key Features

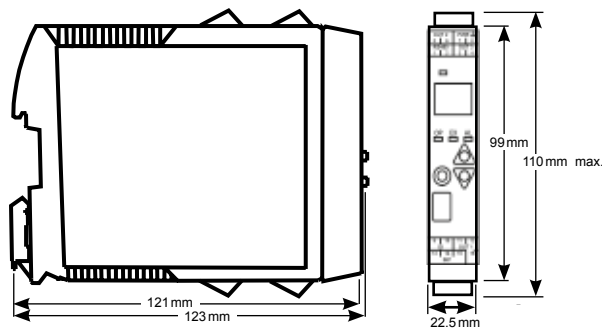
- Text / Icon matrix display
- Quick setup menu with main configuration parameters
- Thermocouple, PT100 or linear DC sensor input
- Up to 3 outputs; relay, SSR or Linear DC
- Isolated Digital input
- Limit alarm plus warning, high/low or deviation
- 3 button operation
- 3 status LEDs
- Front panel configuration or via PC configuration software
- RS485 Modbus RTU communications

Specification

Operating and Environmental

Temperature & RH	• 0 to 55°C (-20 to 80°C storage), 20% to 95% RH non-condensing
Altitude	• <2000M
Power Supply	• 100 to 240V ±10%, 50/60Hz, 9VA(mains powered version) • 24V DC/AC +10%/-15%, AC 50/60Hz, 5W (low voltage version)
Enclosure Protection	• IP20
Standards	• CE, UL, cUL & FM
EMI	• Complies with EN61326-1 (Susceptibility & Emissions)
Safety Considerations	• Complies with EN61010-1 & UL61010-1 • Pollution Degree 2, Installation Category II
Weight	• 0.20kg excluding packaging

Dimensions

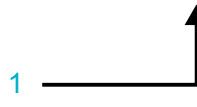


Ordering Code

MVR - 1 T x - x x x x - 5 x U 0 xxxx

Digital Input

Isolated



Supply Voltage

110 to 240V AC **M**
24V AC / DC **L**



Manual / HMI Language

- 1 English
- 2 French
- 3 German

Option Slot 2

- 0 Not Fitted
- C RS485 Communications

Output

LIMIT	AL1	AL2 / PV	Z	R	0
C/O Relay	Relay	None	Z	R	0
C/O Relay	Relay	Relay	Z	R	R
C/O Relay	SSR	Linear	Z	A	L
C/O Relay	Relay	Linear	Z	R	L
C/O Relay	SSR	None	Z	A	0
C/O Relay	SSR	Relay	Z	A	R

Accessories

MAXVU Configuration software

For PC setup MAXVU configuration software is available free of charge from www.west-cs.co.uk.

A USB configuration cable is also available from your local WCS distributor.



MAXVU configuration software is simple to use for fast set up of MAXVU devices.



Set-up wizard simplifies the set-up further.

Provides step-by-step guidance to device configuration with detailed assistance on each setting.



Clear and logical side tabs make it easy to find parameter settings in tabular form.

Simple icon driven taskbar along top for all main functions



Each parameter shows current setting and can easily be changed by drop-down menus or entering values.

Allowable setting range is shown for guidance.

A useful help box provides additional assistance.

Contact



Email: inquiries@west-cs.com

Website: www.west-cs.com



Telephone: +1 800 866 6659

Fax: +1 847 782 5223



Address: 1675 Delany Road
Gurnee
IL 60031-1282
USA

WEST
Control Solutions

DS-MVRL-1-US-1705